

# **PAMS Technical Documentation**

## **TFE/K-1 SERVICE TOOLS**



## TFE/K-1 SERVICE ACCESSORIES

### Contents

List of Service Accessories .....	Page 4
MBUS Cable DAU-4S .....	Page 4
Product code .....	Page 4
View of DAU-4S .....	Page 4
PC/MBUS Adapter DAU-2T .....	Page 5
Product Code .....	Page 5
View of DAU-2T .....	Page 5
D9/D25 RS-232 Adapter .....	Page 5
Product Code .....	Page 5
View of Adapter .....	Page 5
Service Cables SCS-4 .....	Page 6
Product code .....	Page 6
View of SCS-4 .....	Page 6
Audio Cable ADS-1 .....	Page 7
Product code .....	Page 7
View of ADS-1 .....	Page 7
Power Connector PCS-1 .....	Page 8
Product code .....	Page 8
View of PCS-1 .....	Page 8
Modular Cable XCM-1 .....	Page 9
Product code .....	Page 9
View of XCM-1 .....	Page 9
SIM Adapter TDA-2 .....	Page 10
Product code .....	Page 10
View of TDA-2 .....	Page 10
SW Security Device PKD-1 .....	Page 11
Product Code .....	Page 11
View of SW Security Device .....	Page 11
Flash Prommer FPS-4 .....	Page 12
Product Code .....	Page 12
View of FPS-4 .....	Page 12
Service Adapter AFW-2 .....	Page 13
Product Code .....	Page 13
View of AFW-2 .....	Page 13
Handset HSE-1 .....	Page 14
Product Code .....	Page 14
View of Handset HSE-1 .....	Page 14
Handset HSN-5 .....	Page 15
Product Code .....	Page 15
View of Handset HSN-5 .....	Page 15

## List of Service Accessories

### MBUS Cable DAU-4S

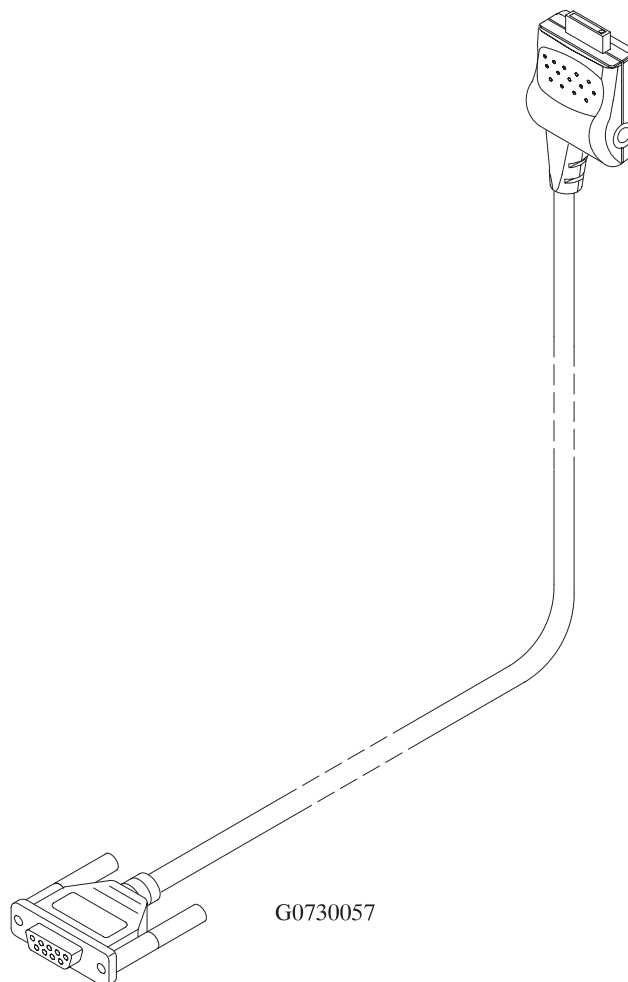
DAU-4S is connected between the CAP adapter (AFW-1), which is connected to the phone, and the serial (COM) port of the PC. It matches the MBUS data bus signals to the serial data bus of the computer.

#### Product code

MBUS Cable DAU-4S:

0730057

#### View of DAU-4S



## PC/MBUS Adapter DAU-2T

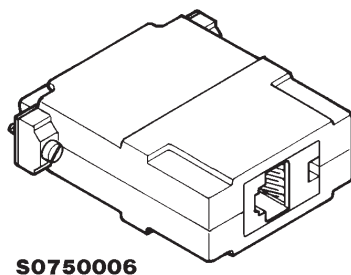
DAU-2, a modular cable, and service adapter (AFW-2) can be used to connect TFE/K-1 to the PC.

### Product Code

PC/MBUS Adapter DAU-2T:

0750006

### View of DAU-2T



S0750006

## D9/D25 RS-232 Adapter

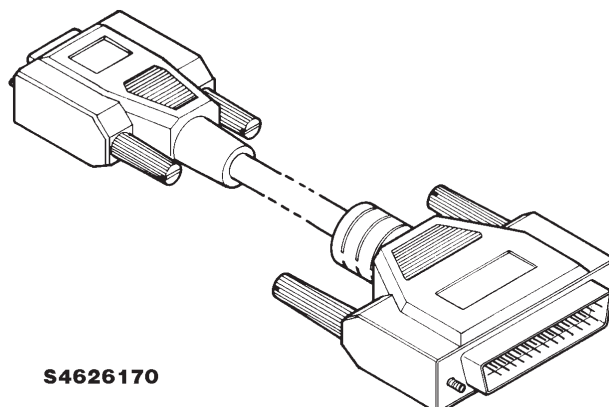
Suitable adapter between DAU-2 and computers having 9 pin D connector as a serial port.

### Product Code

D9/D25 RS-232 Adapter:

4626170

### View of Adapter



S4626170

## Service Cables SCS-4

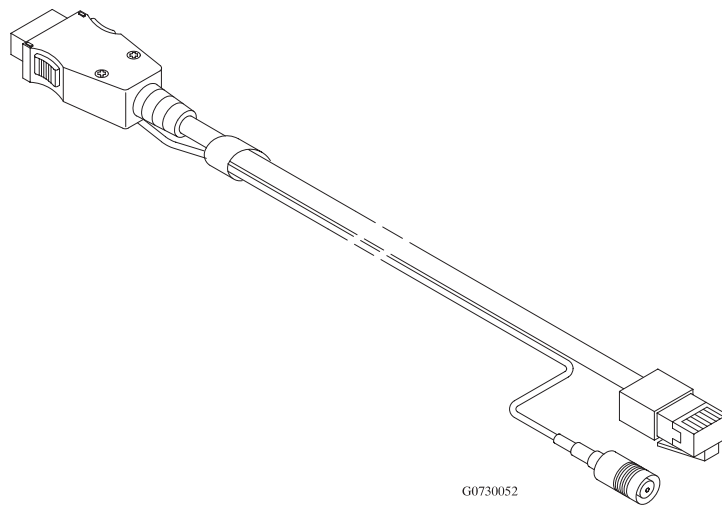
Service cable SCS-4 is an adapter routing RF signal from phone bottom connector to BNC connector. It also contains modular connector that can be used to service purposes.

### Product code

Service Cable SCS-4:

0730052

### View of SCS-4



## Audio Cable ADS-1

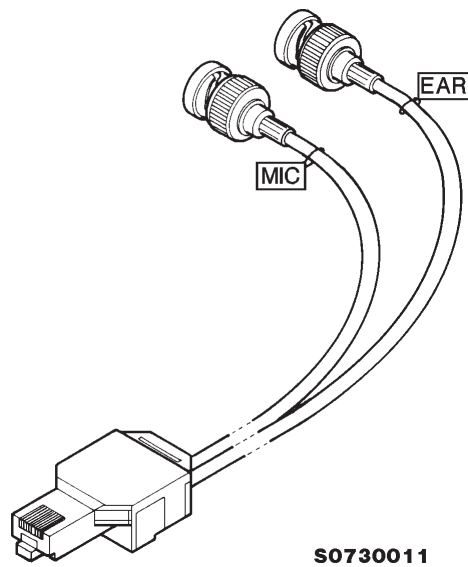
The Audio Cable is an adapter routing AF signals (MIC/EAR) from 8 pin modular connector to two BNC connectors. The Service Adapter (AFW-2) is used to connect ADS-1 to TFE/K-1.

### Product code

Audio Cable ADS-1:

0730011

### View of ADS-1



## Power Connector PCS-1

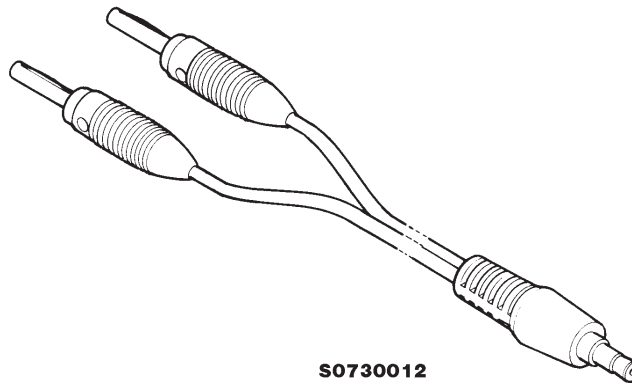
Suitable adapter between TFE/K-1 and the power supply. The PCS-1 must be connected through the Service Adapter (AFW-2).

### Product code

Power Connector PCS-1:

0730012

### View of PCS-1



S0730012



## Modular Cable XCM-1

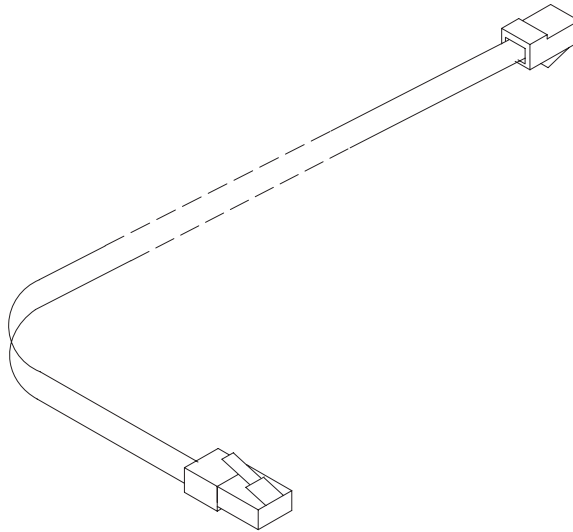
Suitable connecting cable between the Service Adapter (AFW-2) and the Modular T-connector .

### Product code

Modular Cable XCM-1:

4626131

### View of XCM-1



## SIM Adapter TDA-2

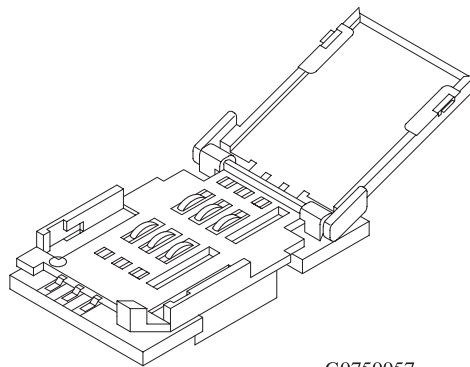
The SIM adapter has only one function, namely to connect a lite SIM card to the phone when it is disassembled. The normal SIM card holder can not be used as it is part of the mechanics.

### Product code

SIM Adapter TDA-2:

0750057

### View of TDA-2



G0750057

## SW Security Device PKD-1

SW security device is a piece of hardware enabling the use of the service software when connected to the parallel (LPT) port of the PC. Without the dongle present it is not possible to use the service software. Printer or any such device can be connected to the PC through the dongle if needed.

*Caution: Make sure that you have switched off the PC and the printer before making connections!*

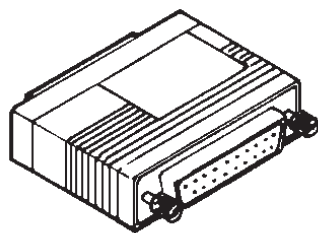
*Caution: Do not connect the PKD-1 to the serial port. You may damage your PKD-1!*

### Product Code

SW Security Device PKD-1:

0750018

### View of SW Security Device



**G0750018**

## Flash Prommer FPS-4

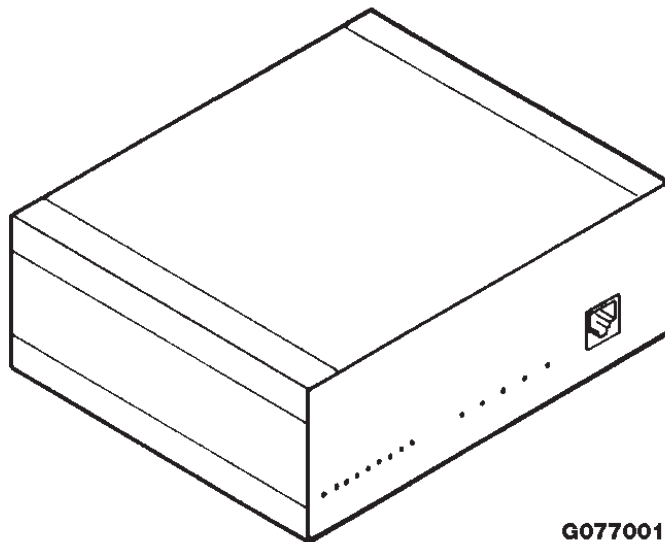
Flash prommer is used to update the main software of the phone, should that some day become necessary. Updating is done by first loading the new MCU software from PC to the FLASH prommer and then loading the new SW from prommer to the phone. When updating more than one phone in a row, the new MCU SW must be loaded to the prommer only in the beginning.

### Product Code

Flash Prommer FPS-4:

0750090

### View of FPS-4



G0770017

## Service Adapter AFW-2

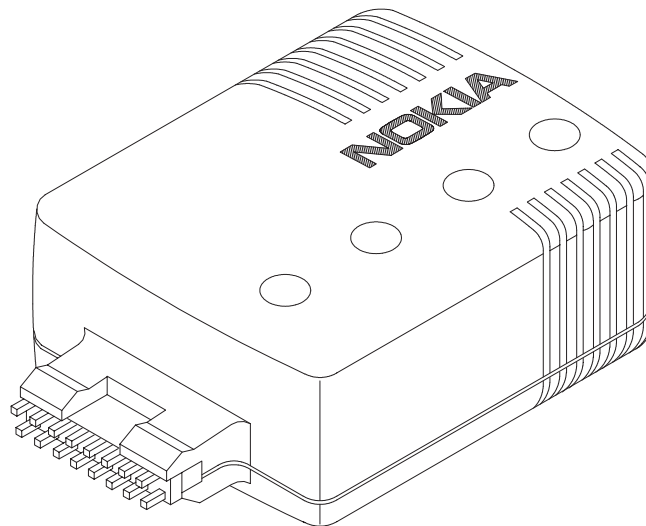
AFW-2 is used to connect DAU-2T, Audio Cable ADS-1 via the modular cable to TFE/K-1. Also the flash prommer FPS-4 and Power Connector PCS-1 can be connected to TFE/K-1 with AFW-1.

### Product Code

Service Adapter AFW-2:

0750110

### View of AFW-2



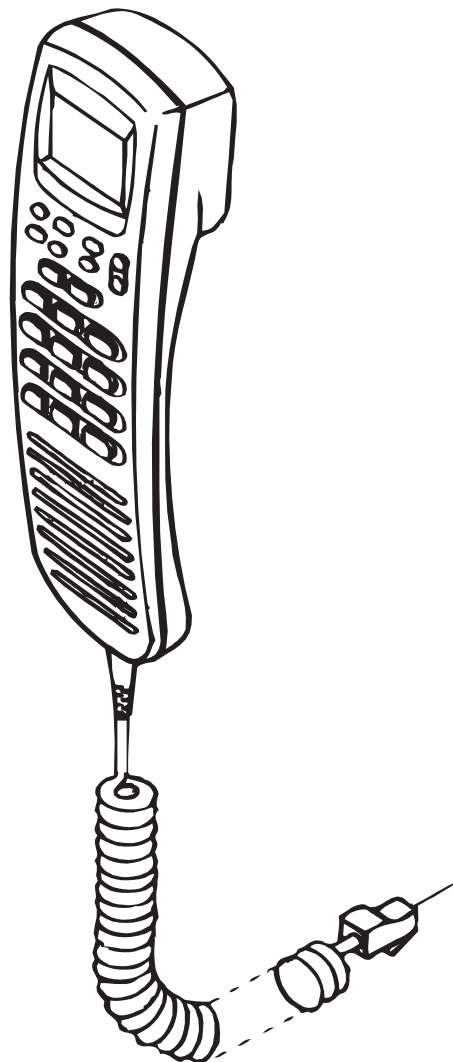
## Handset HSE-1

The handset HSE-1 is used when installing or testing the terminal.

### Product Code

Handset HSE-1: 0640002

### View of Handset HSE-1



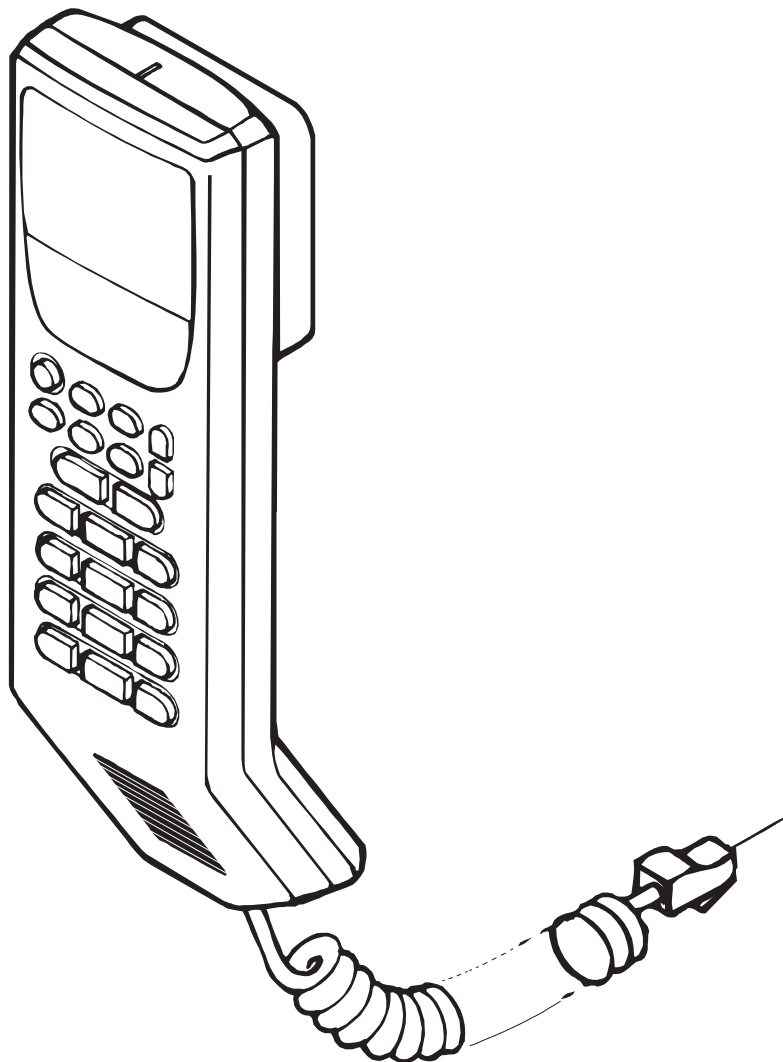
## Handset HSN-5

The handset HSN-5 is used when installing or testing the terminal.

### Product Code

Handset HSN-5: 0640049

### View of Handset HSN-5



This page intentionally left blank.